

**SMART Gas Detector/Transmitter(4~20mA)
with builtin TFT LCD & explosion proof**

DA-600S-TOXI or O₂

Auto - Sampling Type



GASDNA Co.,Ltd 101, Bukhang-ro 193beon-gil, Seo-gu, Incheon, 22856, Republic of Korea
Tell: +82-32-584-7420 Fax: +82-32-584-7424 E-mail: sales@gasdna.com Web: www.gasdna.com

<http://www.gasdna.com>

Product Introduction

The DA-600S-TOXI detector is an electrochemical detector that uses a full-color LCD and RGB LED to enhance visibility and warning indication.

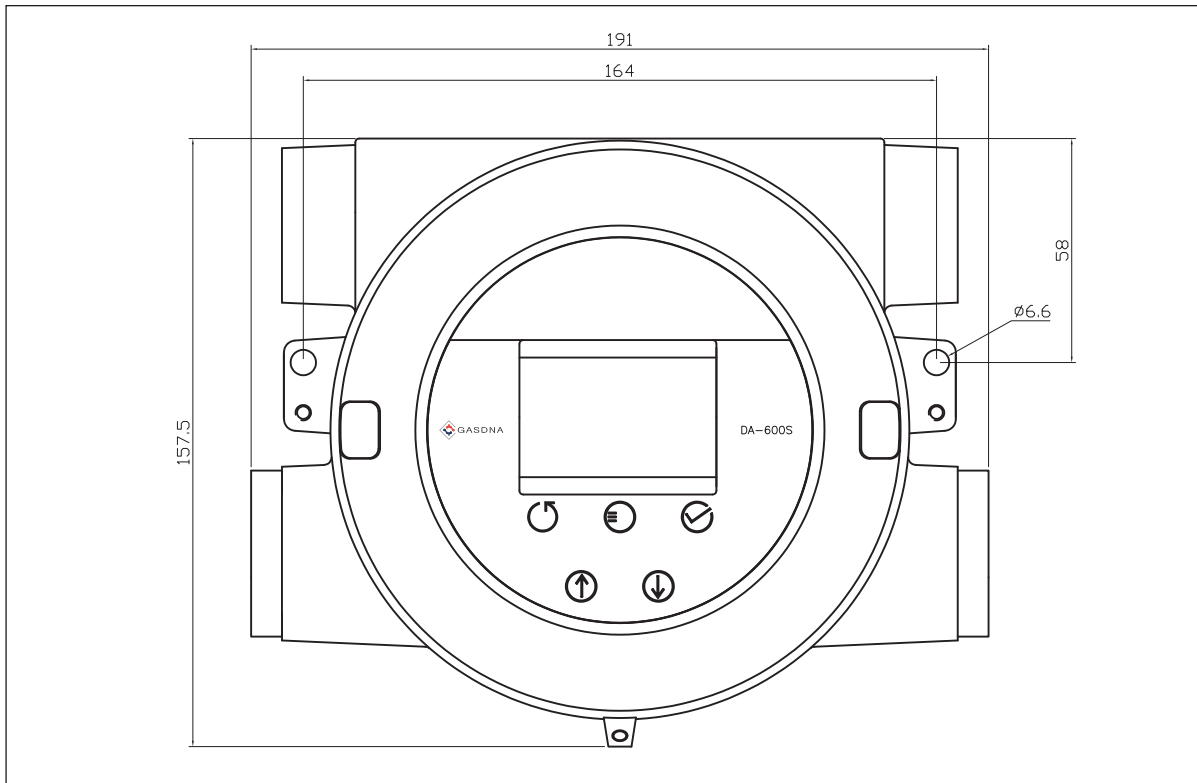
The DA-600S-TOXI meter is a product suitable for measuring toxic gases using an electrochemical sensor. The DA-600S -TOXI sensor consists of a working electrode, a reference electrode, a counter electrode, and an electrolyte. When gas is exposed to the sensor, an electrochemical reaction occurs at the working electrode, causing oxidation or reduction, and this

Product Specifications:

Specification	Detail
Measuring Method	Sampling
Measuring Range	PPB, PPM, %VOL
Size	191(W) x 158(H) x 135(D)
Display	2.4" TFT LCD
Screen Size	48.96mm × 36.72mm(2.4inch)
Screen Display	5 magnetic switches with led confirmation
Warning light	RGB Color: RED, Orange & Green
Measuring Principle	Electrochemical
Measuring gas	See the gas list
Detection Time(T90)	>15 Sec
Input Power	DC 20~30V, Maximum power of 10Watts
External Outputs	4-20mA, Rs485 modbus, Relay x 2SPST(220V AC : 0.3A)
Ambient Temperatures & Humidity Range	-40°C ~ 55°C, 0 ~ 95% RH (Non-Condensing)
Mechanical interface	2 x 3/4" NPT
Certification	Ex db IIC T6 Gb(IP6X), Ex tb IIIC T85°C Db(IP6X)
Weight	3.8 Kg

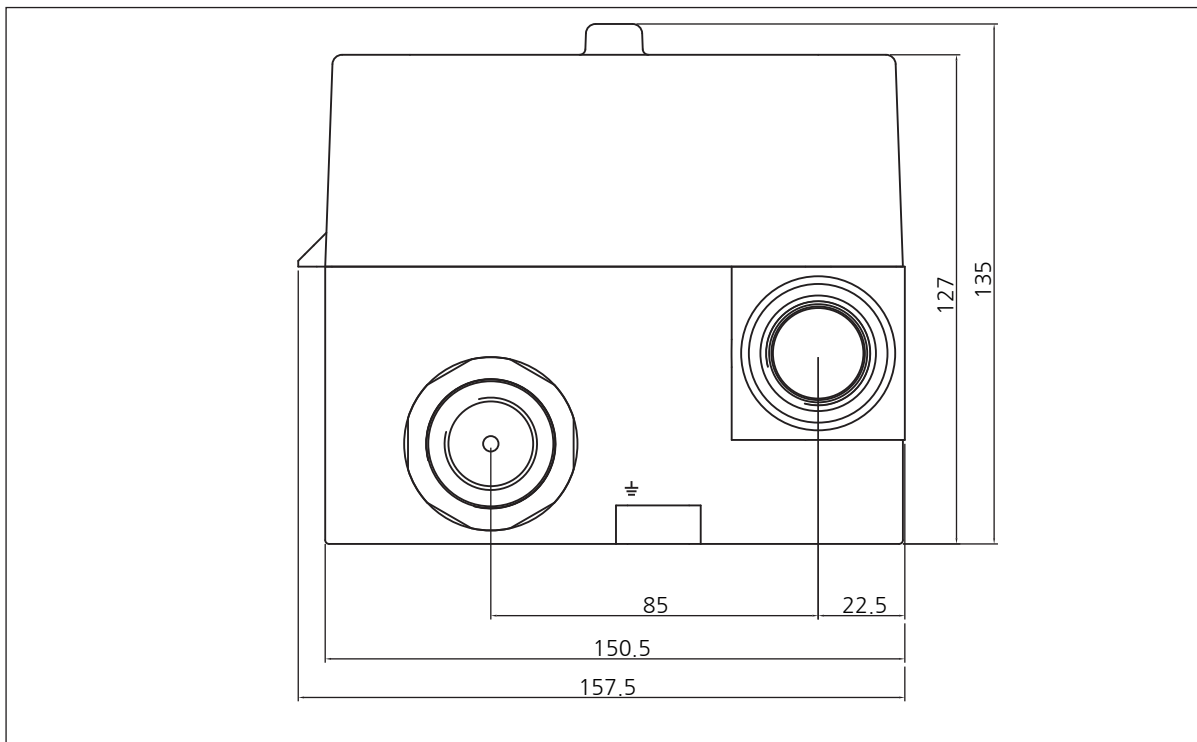
Product Installation

1. Front View



Unit: mm

2. Side View



Unit: mm

TOXIC & O₂ Gas List

Gas Name	Measurement Range
AsCl ₃	0~10.0 PPM
AsF ₃	0~10.0 PPM
Ash ₃	0~1.00 PPM
BF ₃	0~10.0 PPM
B ₂ H ₆	0~1.00 PPM
Br ₂	0~5.00 PPM
CH ₂ O	0~10.0 PPM
C ₂ H ₄	0~10.0 PPM
C ₃ Cl ₃ N ₃	0~10.0 PPM
C ₃ F ₃ N ₃	0~10.0 PPM
C ₄ H ₄ S	0~100 PPM
C ₄ H ₉ SH	0~10.0 PPM
Cl ₂	0~10.0 PPM
ClF ₃	0~ 10.0 PPM
ClO ₂	0~10.0 PPM
CO	0~100 PPM
COF ₂	0~10.0 PPM
GeCl ₄	0~10.0 PPM
F ₂	0~1.00 PPM
H ₂	0~1000 PPM
HBr	0~10.0 PPM
HCl	0~10.0 PPM
HCN	0~50.0 PPM
HF	0~10.0 PPM
H ₂ S	0~100 PPM
I ₂	0~10.0 PPM
NH ₃	0~100 PPM
N ₂ H ₄	0~1.00 PPM
NO	0~100 PPM
NO ₂	0~20.0 PPM
O ₂	0~25 %VOL
O ₃	0~1.00 PPM
PCl ₃	0~10.0 PPM
PCl ₅	0~10.0 PPM
PH ₃	0~5.00 PPM
POCl ₃	0~10.0 PPM
S ₂ F ₁₀	0~10.0 PPM
SbH ₃	0~1.0 PPM
SeH ₂	0~5.00 PPM
SiCl ₄	0~10.0 PPM
SiH ₄	0~50.0 PPM
SiH ₄ Cl ₂	0~10.0 PPM
SO ₂ F ₂	0~10.0 PPM
SnBr ₄	0~10.0 PPM
SiHCl ₃	0~10.0 PPM
TBM	0~50.0 mg/m ³
TEOS	0~100 PPM
THT	0~100 mg/m ³
TiCl ₄	0~10.0 PPM