

**Best Detectors,
Best Service**



Film-7.9

IR Thermometer

| Application

Plastic,
Film,
Glass,
etc.,

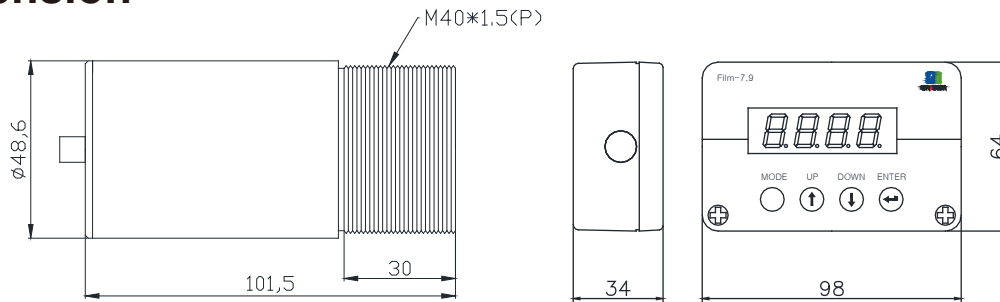
| Features

Film-7.9 infrared thermometer measures the infrared wavelength emitted from the target spot and converts it to standard current signal output (4~20mA) and RS-485 communication signal output.

- Measuring temperature 0~500°C
- Actual measuring location and size can be measured in some distance, by using double laser system.
- It gets through fire(flame) and measures the targets temperature.
- Makes maximum effectiveness in process of Film and Plastic
- Show maximum transmissivity in clean and high temperature gas or flame, Also can measure inner part under glass surface.
- Able to use without a cooling device up to 85°C of ambient temperature. And, when the temperature becomes 50°C, It has automatic laser shut off function.

B-602, 603B Bupyeong Woolim Lion's Valley,
#425 Cheongcheon-Dong, Bupyeong-Gu, Incheon, Korea
TEL : +82-32-623-7507 | FAX : +82-32-623-7510
sales@gasdna.com | <http://www.gasdna.com/en/>

| Dimension



| Product Specification

Segment	Film-7.9
Range	0~500℃
Accuracy	±1%/F.S or 1℃
Error Range	±1%
Field of View (D:S)	60:1
Wavelength Range	7.9μm
Response Time	Within 10msec
Emissivity	0.10~1.00
Output Signal	RS-485
Analog Output	4~20mA
Power	DC 20~24V (Max 200mA)
Operating Temperature	0~80℃
Resolvable Temperature	1℃
Relative Humidity	5~90%
Storage Temperature	-30~85℃
International Protection	IP65, NEMA 4
External Material	SUS
Cable Length	3m, other
Relay Contact	AL1, AL2 (A Contact)



| Authorized Distributor

B-602, 603B Bupyeong Woolim Lion's Valley,
#425 Cheongcheon-Dong,
Bupyeong-Gu, Incheon, Korea
TEL : +82-32-623-7507 | FAX : +82-32-623-7510
sales@gasdna.com | <http://www.gasdna.com/en/>