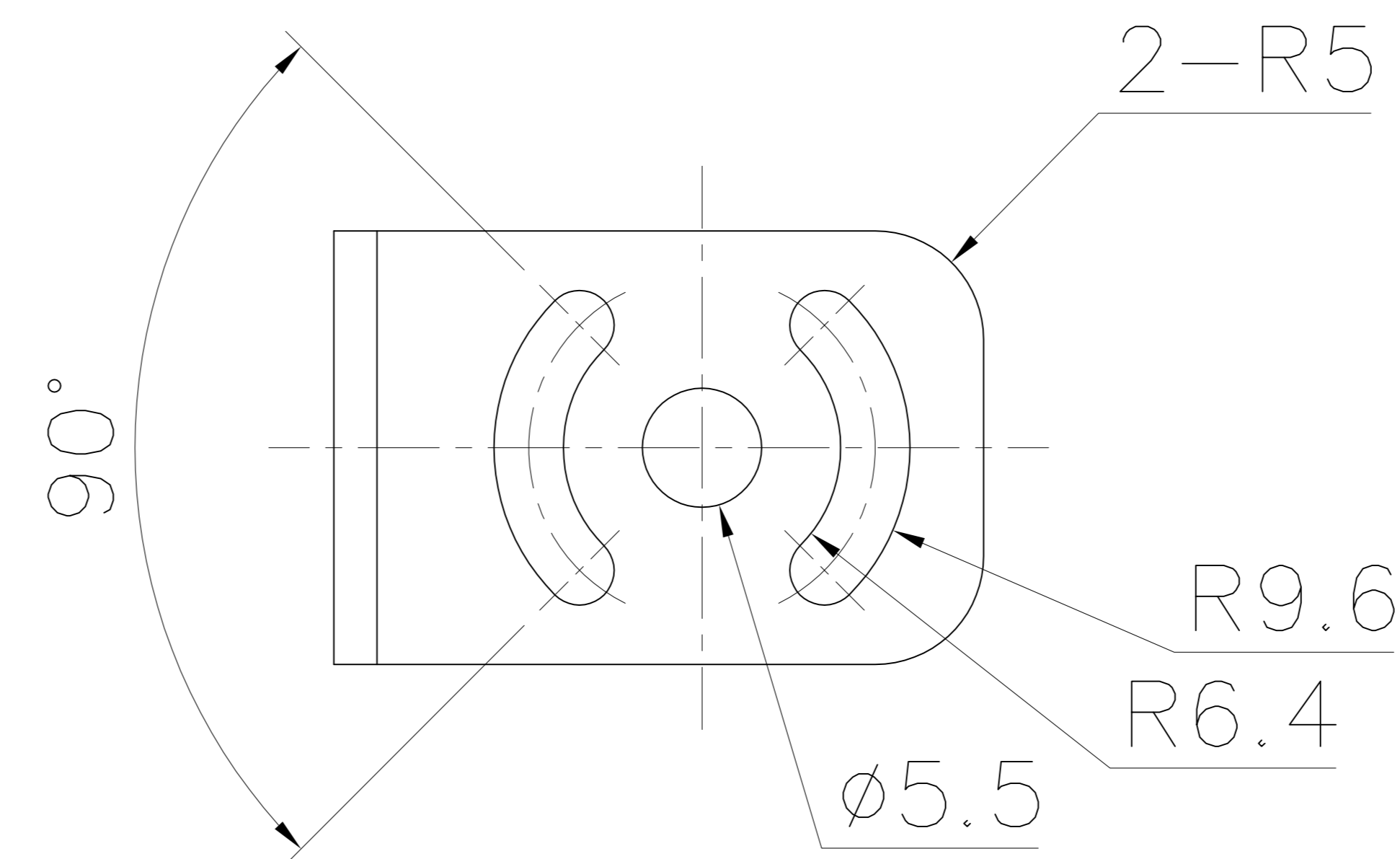
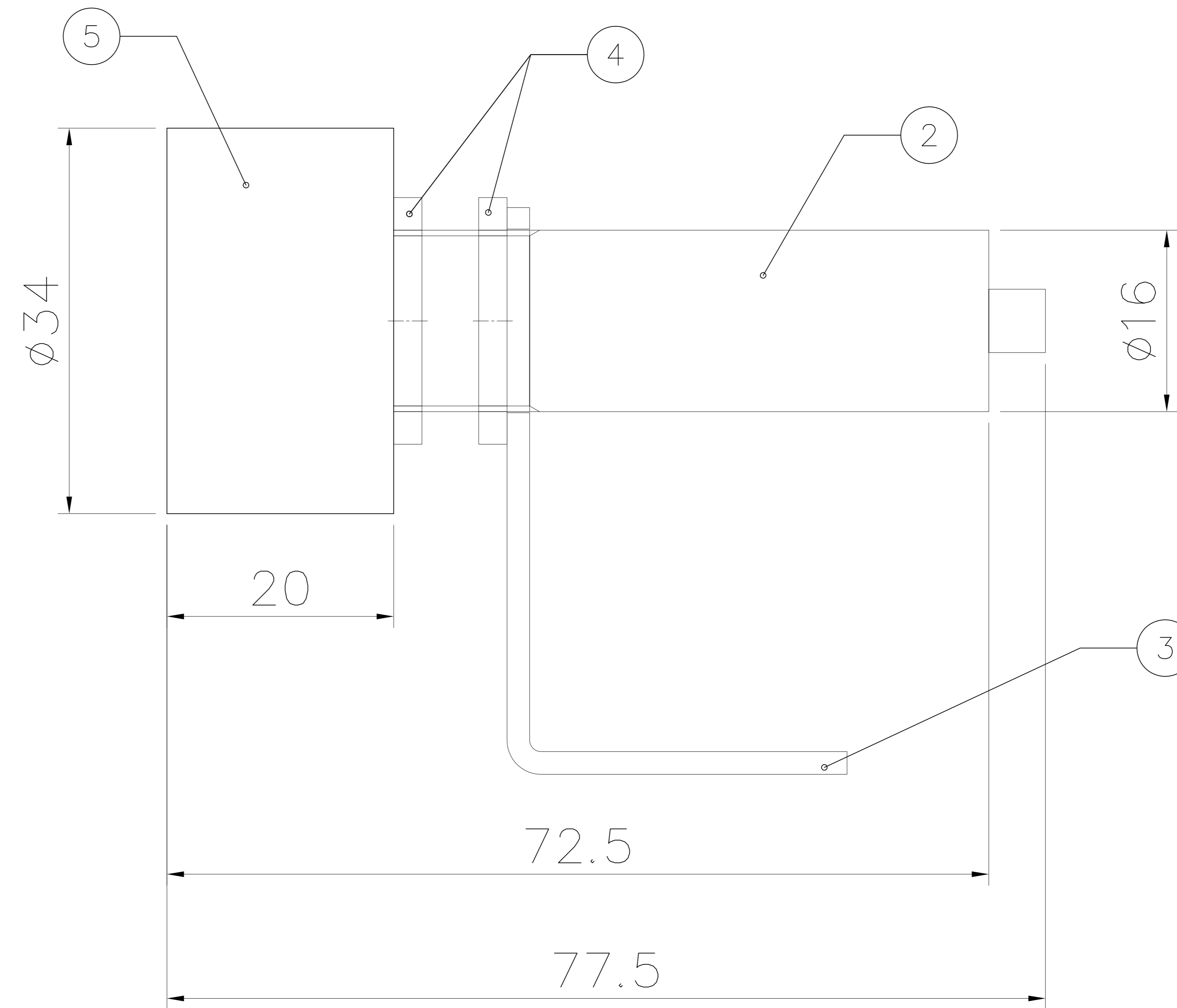
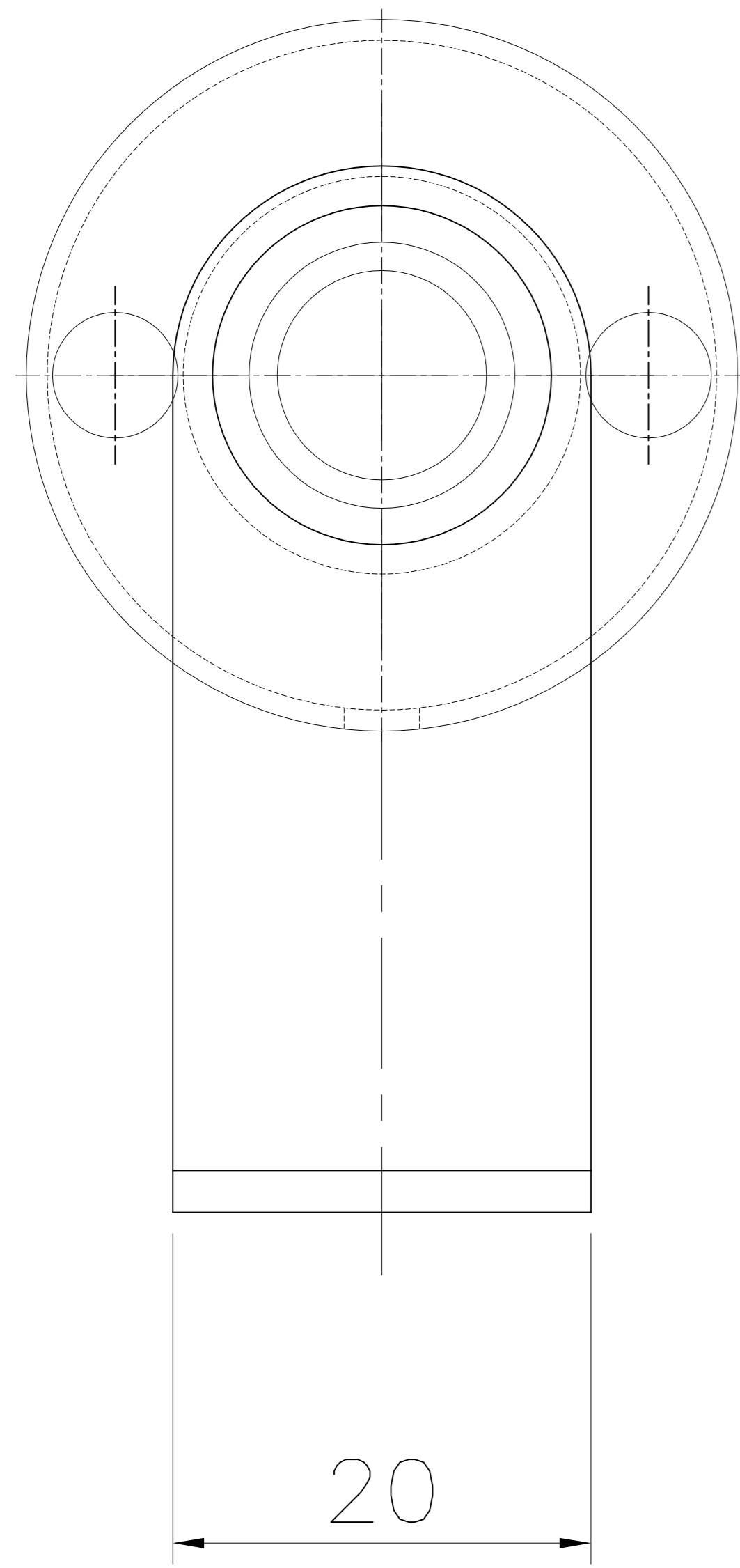


No.	Date	Revision	Draw	Check
1	--	---	-	-



5	IR-22-RAZER POINT	POM(BLACK)	1	-
4	IR-22-NUT	SUS	2	-
3	IR-22-BRACKET	SUS	1	-
2	IR-22-HOUSING	SUS	1	-
1	IR-22-Ass'y	--	-	-
No.	Part name	Material	Quantity	Remarks

General Tolerance						Model name			IR-22	
--	J	K	L	M	N	Draw	Check	Approve	Drawing number	
- 4	0.1	0.1	0.1	0.2	0.2	P.J.W			---	
4 - 16	0.1	0.1	0.2	0.3	0.4	Unit.	Scale	Rev.		
16 - 63	0.1	0.2	0.2	0.4	0.6	mm	1 : 1	0		
63 - 110	0.1	0.2	0.3	0.5	0.8	Date.		Size.		
110 - 250	0.2	0.3	0.4	0.6	1.0	2023.00.00		A4		
250 - 1000	0.3	0.4	0.5	0.8	1.2					

