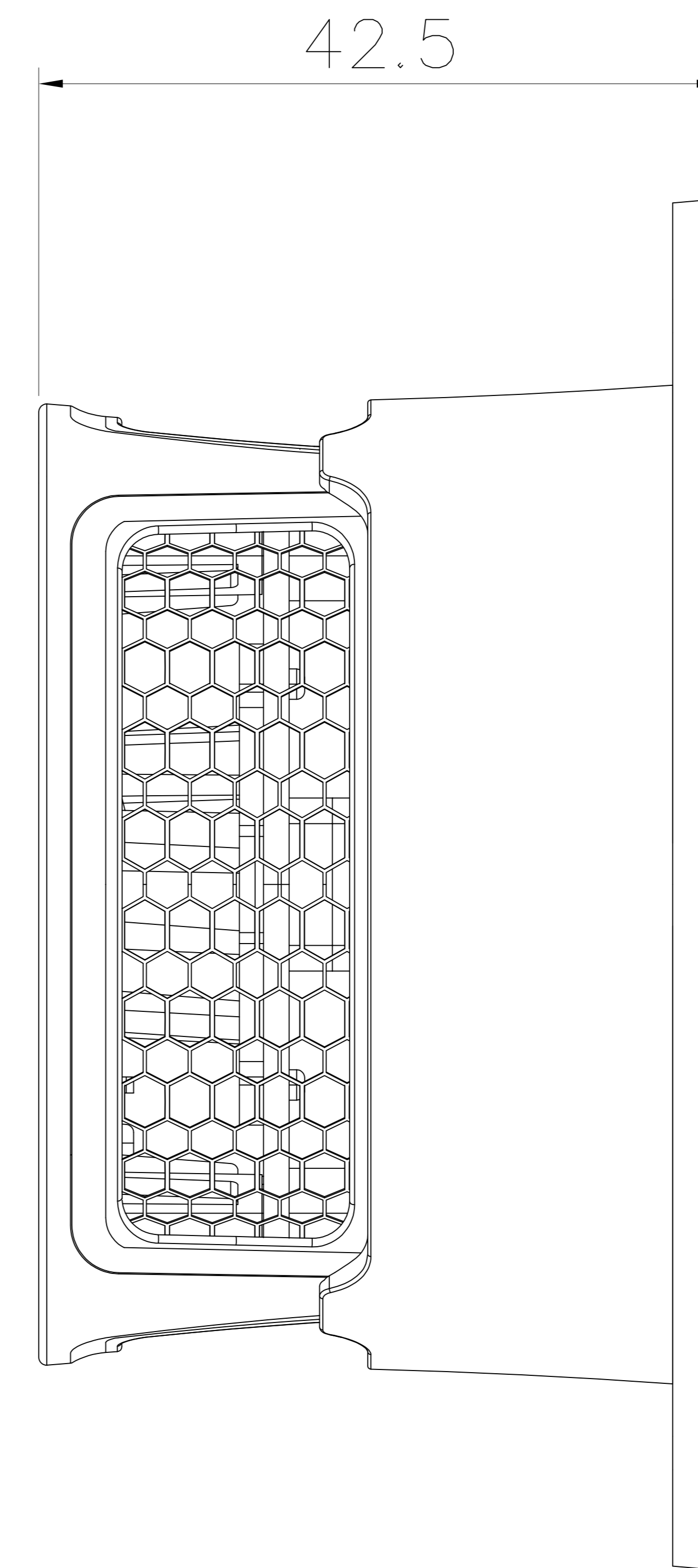
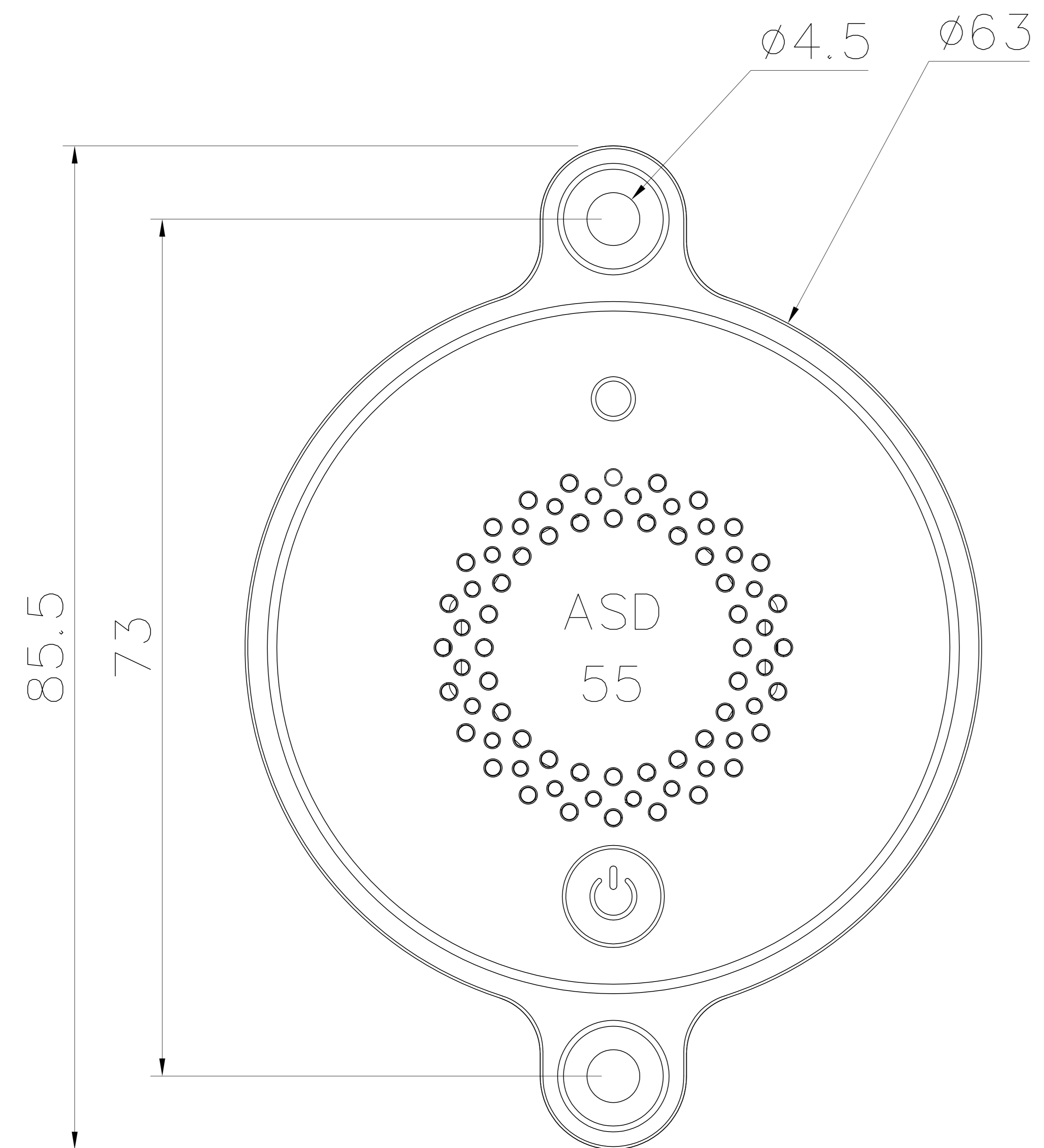


No.	Date	Revision	Draw	Check
1	--	---	-	-



No.	Part name	Material	Quantity	Remarks
1	ASD-55 Ass'y	--	-	-
General Tolerance		Model name ASD-55		
--	J K L M N	Draw	Check	Approve
- 4	0.1 0.1 0.1 0.2 0.2	P.J.W		Drawing number
4 - 16	0.1 0.1 0.2 0.3 0.4			---
16 - 63	0.1 0.2 0.2 0.4 0.6	Unit.	Scale	Rev.
63 - 110	0.1 0.2 0.3 0.5 0.8	mm	1 : 1	0
110 - 250	0.2 0.3 0.4 0.6 1.0	Date.		Size.
250 - 1000	0.3 0.4 0.5 0.8 1.2	2023.05.22		A4

