

**Outdoor RGB LED Matrix Panel  
Single -Channel Gas Detector  
Monitoring Unit**

# GMS-1200



**GASDNA Co.,Ltd** 101, Bukhang-ro 193beon-gil, Seo-gu, Incheon, 22856, Republic of Korea  
Tell: +82-32-584-7420 Fax: +82-32-584-7424 E-mail: sales@gasdna.com Web: www.gasdna.com

<http://www.gasdna.com>

## 1. Product Overview

GMS-1200 is a gas detector alarm system designed to effectively monitor gas leakage in a complex & outdoor environments that uses high-brightness 3-color LED display to deliver real-time data information with high visibility.

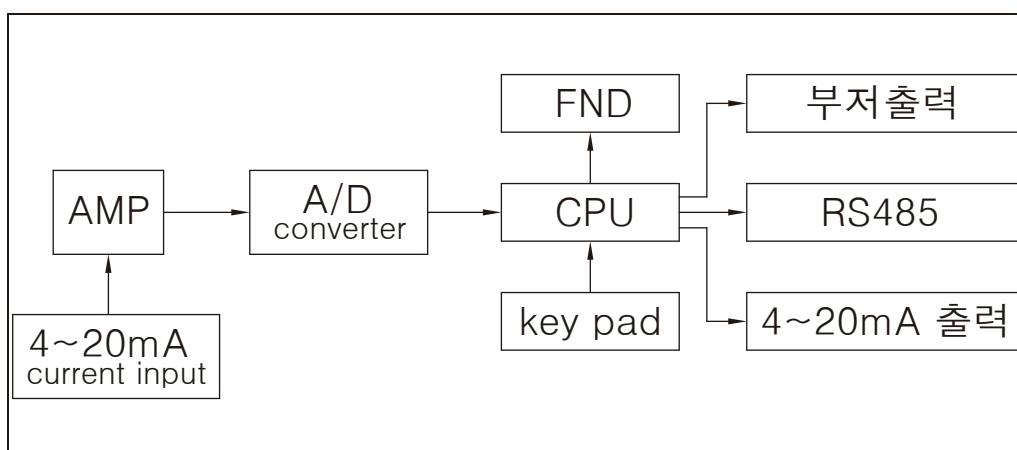
GMS-1200 is a single-point gas detector receiver that connects to only one detector. It receives an analog continuous signal from one connected detector and converts it into a digital signal, providing various alarm and monitoring environments through a microprocessor.

In addition, it converts the digital signal back into a 4-20mA standard current signal and outputs it to provide signals to various external devices such as PLC, DDC, and RECORDER. This makes it easy to build a more expanded and comprehensive gas monitoring environment.

## 2. Product Features

- It has various and accurate functions with built-in microprocessor.
- It accurately transmits the indicated value by building in a high-resolution A/D converter.
- It is easy to install with its ultra-small and SIMPLE design.
- It has excellent durability with the waterproof, dustproof, and corrosion-resistant POLYCARBONATE exterior material.
- It can be connected to various external devices such as FAN with AL1 / AL2 2-stage alarm contact.
- It is possible to transmit a signal over a long distance (2.5km) with 4 - 20mA external output.
- You can set the user's arbitrary usage environment through programmed menus.
- It has an outdoor high-brightness RGB LED Matrix display.
- It has an external warning light to maximize the visual effect of the alarm function.

## 3. System Configuration



## 4. Product Specifications:

Product Code	GMS-1200
Product Structure	Wall Mounted
Display	16x32dot RGB LED Matrix (Pixel 6mm) [display Size96x192mm]
Detectors Connection Type	For single-point type (1 connected detectors)/1 circuit
Input Power	AC / 60 Hz
Power Consumption	MAX 24W
Battery Power	DC 24 V 2.5 AH
Input Signal	4-20 mA DC/ F. S
Output Signal	4-20 mA DC/F. S
Output Power	DC 24 V (250mA)
Communication Output	485 mode bus
Signal Resolution Capability	A/D Converter 16bit
	D/A Converter 16bit
Alarm Signal	AL1 Alert - Orange border displayed
	AL2 alarm - red border display
	FAULT alarm - FAULT red text display
Alarm Method	Visual - External warning lights
	Hearing - Buzz Bass (over 80dB)
Alarm Value Setting	AL1, AL2 2-stage alarm- Set as per user requirement
Alarm Delay Time	0~99 sec Set as per user requirement
Temperatures & Humidity Range	-10℃ ~ 50 ℃, 5 ~ 95% RH (Non-condensing)
Alarm Output	2-stage (AL1, AL2) alarm RELAY CONTACT

## 5. Dimensions

