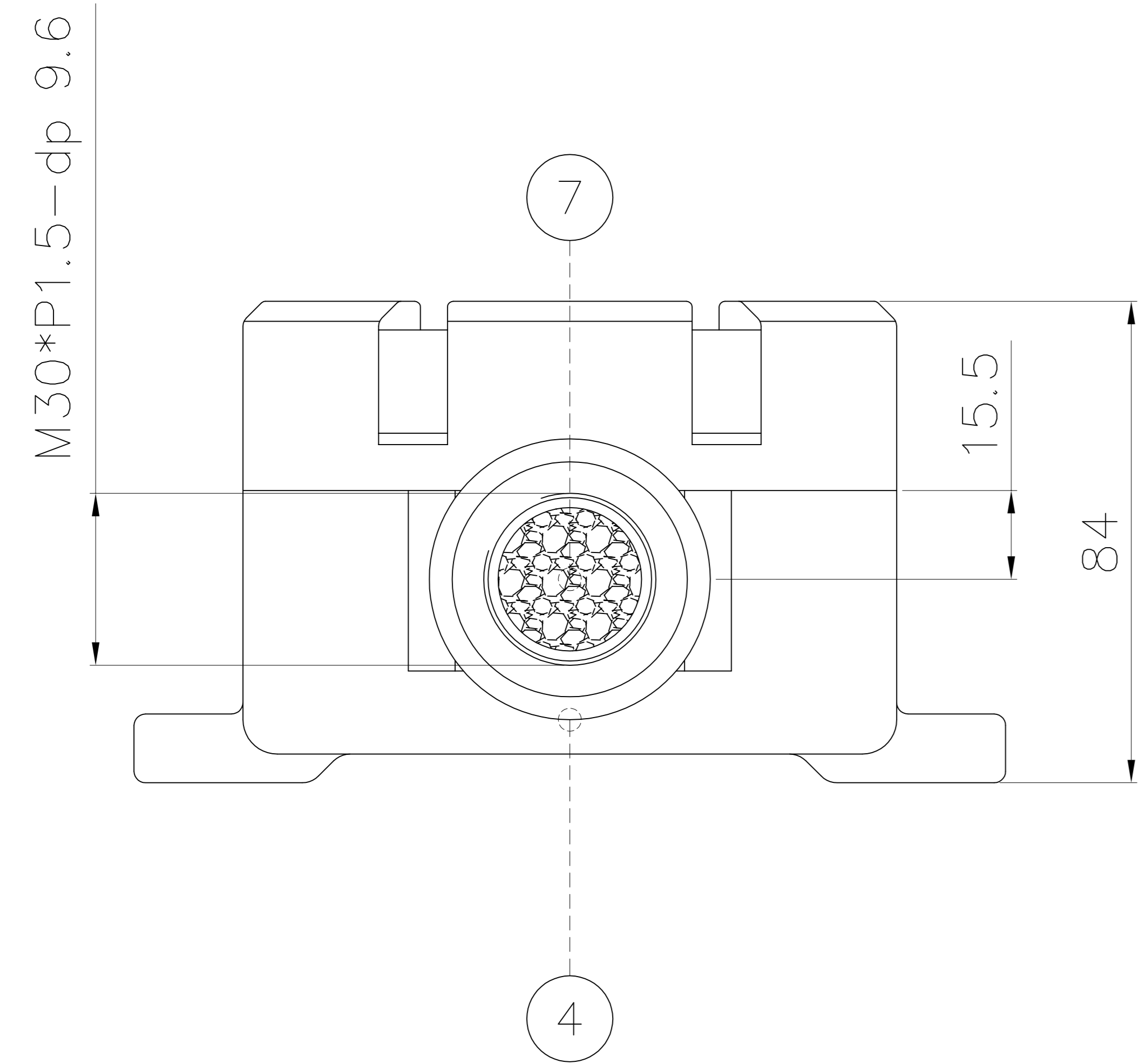
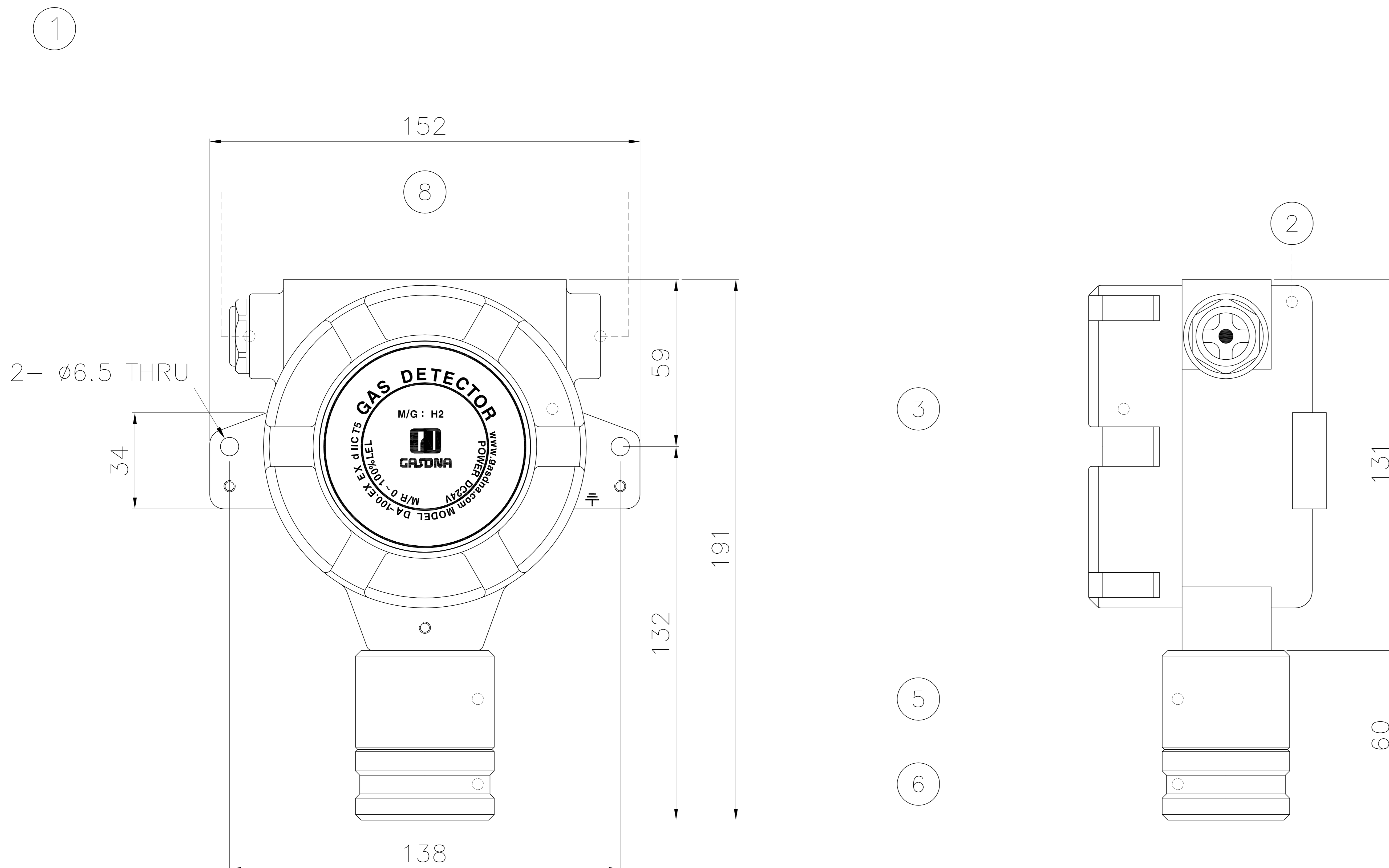


No.	Date	Revision	Draw	Check
1	--	---	-	-



NOTE

1. Unspecified Screw Hole Tolerances: ISØ 273 (fine)
2. Unspecified Tolerances: ISØ 2768-1(m)
3. Screw Standard
 - Hexagon Socket Set Screw : ISØ 4026
 - PF thread : ISØ 228-1, KS B 0221
 - Metric Thread: ISØ 965-1, ISØ 965-3, ISØ 262
 - Thread quality: Medium of ISØ 965-1, 965-3

8	CABLE GLAND (PF 1/2 ")	--	1	--
7	FILTER	SS 316 L	1	--
6	SENSOR HOUSING BOTTOM	BRASS	1	--
5	SENSOR HOUSING TOP	BRASS	1	--
4	SENSOR HOUSING Ass'y	--	1	--
3	AL CASE TOP	AL(AC4C)	1	--
2	AL CASE BOTTOM	AL(AC4C)	1	--
1	Ass'y	--	--	--
No.	Part name	Material	Quantity	Remarks
General Tolerance		Model name		DA-100
--	J K L M N	Draw	Check	Approve
- 4	0.1 0.1 0.1 0.2 0.2	P.J.W		
4 - 16	0.1 0.1 0.2 0.3 0.4	Drawing number		
16 - 63	0.1 0.2 0.2 0.4 0.6	Unit.	Scale	Rev.
63 - 110	0.1 0.2 0.3 0.5 0.8	mm	1 : 1	0
110 - 250	0.2 0.3 0.4 0.6 1.0	Date.	Size.	
250 - 1000	0.3 0.4 0.5 0.8 1.2	2023.00.00	A1	

